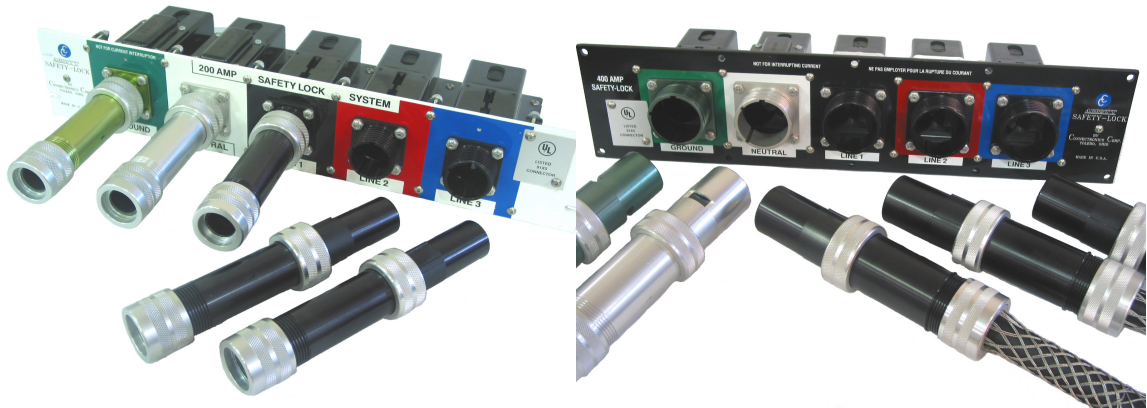


Safety Lock Series



Power Distribution System

Features:

- UL listed and Patent Protected
- 600 VDC Operating Voltage
- Temperature Range
-65°F to +150°F
- Sea Level to 10,000 Ft. Operation
- Field or Factory Assembled
- 2/0 & 4/0 Cable
- Minimal T-Rise
- 200 & 400 AMP Versions
- Pins & sockets designed for self-cleaning wiping action

Typical Applications:

- Power Distribution Systems for permanent, temporary or emergency field usage of high power generators by the entertainment, commercial construction, shipping, mining industries, and oil drilling as well as military operations.

Connectronics 
Corp. *Interconnection Specialists*
a **HEICO** company



Corporate Office
& Manufacturing Facilities:
2745 Avondale • P.O. Box 3355
Toledo, Ohio 43607

Phone: 419-537-0020
Fax: 419-537-0007
E-mail: info@connectronicscorp.com
Visit Us On Our Web Site @
www.connectronicscorp.com

TECHNICAL DATA

DESCRIPTION

SAFETY LOCK IS THE POWER DISTRIBUTION SYSTEM THAT PERMITS SAFE HANDLING OF POWERFUL ELECTRICAL CONNECTIONS. THIS SYSTEM OFFERS A SAFEGUARD TO INDUSTRY AND IS ALSO IDEAL FOR EMERGENCY POWER SITUATIONS.

DESIGNED FOR 600 VOLT, THREE PHASE, 200 AMP & 400 AMP SERVICE, THE SAFETY LOCK SYSTEM USES SINGLE PIN CONNECTORS. THE POWER IS CONTROLLED BY A "FIRST IN/LAST OUT" GROUND SAFETY FEATURE AND IS DIFFICULT TO IMPROPERLY CONNECT ANY POWER UNTIL THE GROUND AND NEUTRAL CONNECTIONS HAVE BEEN MADE. THE GROUND AND NEUTRAL CONNECTIONS ALSO CANNOT BE DISCONNECTED UNTIL ALL OTHER POWER LINES ARE DISCONNECTED. THERE IS NO EASY WAY TO BYPASS OR TAMPER WITH THIS SYSTEM.

SAFETY LOCK CAN BE INSTALLED IN STATIONARY PANEL BOARDS OR USED IN THE FIELD. PLUGS CAN BE MATED AND SEPARATED RAPIDLY, WHICH MAKES THE SYSTEM PORTABLE AND EFFICIENT. IT REQUIRES ONLY STANDARD TOOLS FOR INITIAL CONNECTIONS, AND NEEDS NO SPECIAL MAINTENANCE.

IN THE FIELD THIS SYSTEM IS USED WITH PORTABLE GENERATORS, ARENA AND STADIUM SOUND DEVICES, ON-LOCATION FILMING, TEMPORARY SPORTS LIGHTING, DOCKSIDE SHIPBOARD POWER, MILITARY OPERATIONS, ROAD AND BRIDGE CONSTRUCTION, COMMERCIAL CONSTRUCTION, MINING AND OIL DRILLING LOCATIONS, AND OTHER SIMILAR PERMANENT, TEMPORARY OR EMERGENCY USES.

THE SAFETY LOCK SYSTEM FEATURES MACHINED ALUMINUM SHELLS WITH A CORROSION RESISTANT ANODIZED FINISH. THE STANDARD SIZE 3 1/2" x 19" INPUT AND OUTPUT PANELS ARE READY TO BE RACK MOUNTED. THE SYSTEM CAN ALSO BE ORDERED IN WEATHER RESISTANT CONFIGURATIONS.

THE CONNECTIONS HAVE A LARGE, SELF-WIPING CONTACT AREA AND SILVER PLATED CONSTRUCTION TO CONTROL TEMPERATURE RISE TYPICALLY ASSOCIATED WITH HIGH CURRENT CONNECTIONS. OPTIONAL BASKET WEAVE GRIPS FIT OVER THE WIRES AND RELIEVE THE STRAIN ON THE PLUG ASSEMBLIES SO THAT TENSION CANNOT BE TRANSMITTED TO THE CONNECTION.

SAFETY LOCK HAS BEEN STRESS TESTED AND PROVEN RELIABLE UNDER SEVERE CONDITIONS TIME AND TIME AGAIN. IT IS DESIGNED TO MEET MILITARY SPECIFICATIONS FOR GROUNDED DELTA SYSTEMS. THE SAFETY LOCK POWER DISTRIBUTION SYSTEM IS PATENT PROTECTED AND UL LISTED.

CONNECTRONICS ALSO DESIGNS AND MANUFACTURES ADDITIONAL HIGH CURRENT AND HIGH VOLTAGE SOLUTIONS TO SUIT EVERY NEED. PLEASE CONTACT THE FACTORY IF YOUR NEEDS GO ABOVE AND BEYOND THE ORDINARY. LET CONNECTRONICS DESIGN A CUSTOM SOLUTION FOR YOU.

OPERATING CHARACTERISTICS:

ELECTRICAL:
 VOLTAGE: 600 VDC
 MAXIMUM CURRENT: 200 & 400 AMPS

ENVIRONMENTAL:
 ALTITUDE: SEA LEVEL TO 10,000 FT.
 TEMPERATURE: -65°F TO +150°F

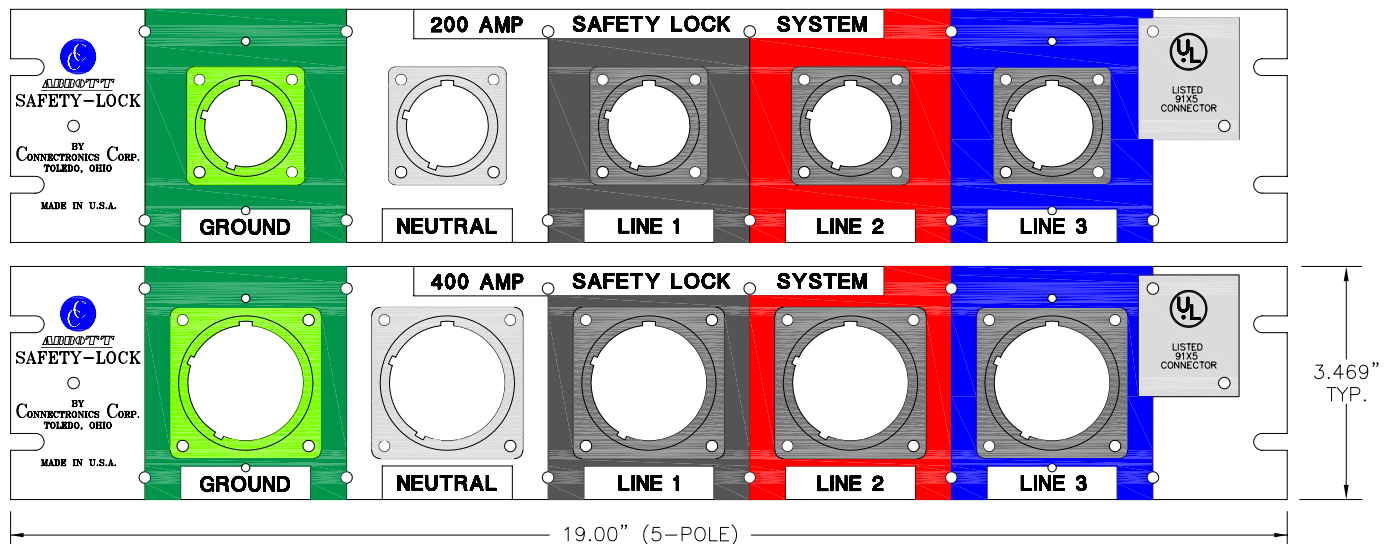
MATERIALS AND FINISHES:

SHELL, COUPLING NUT AND RELATED HARDWARE: ALUMINUM ALLOY 6061-T6 PER QQ-A-225/8,
 COLOR CODED ANODIZED PER MIL-A-8625.
 PLASTIC HARDWARE: POLYCARBONATE RESIN
 CABLE GROMMET: BLACK EPDM RUBBER
 SOCKET CONTACTS: LEADED COPPER ALLOY C18700, SILVER PLATED PER QQ-S-365.
 PIN CONTACTS: LEADED COPPER ALLOY C18700, SILVER PLATED PER QQ-S-365.
 WIRE (OPTIONAL): 2/0 (259/23) .419"φ ROPE-STRANDED BARE COPPER CONDUCTOR, TYPE W, CV CURED, .820"φ OVER JACKET.
 4/0 (259/21) .522"φ ROPE-STRANDED BARE COPPER CONDUCTOR, TYPE W, CV CURED, .930"φ OVER JACKET.



SELF WIPING CONTACT DESIGN

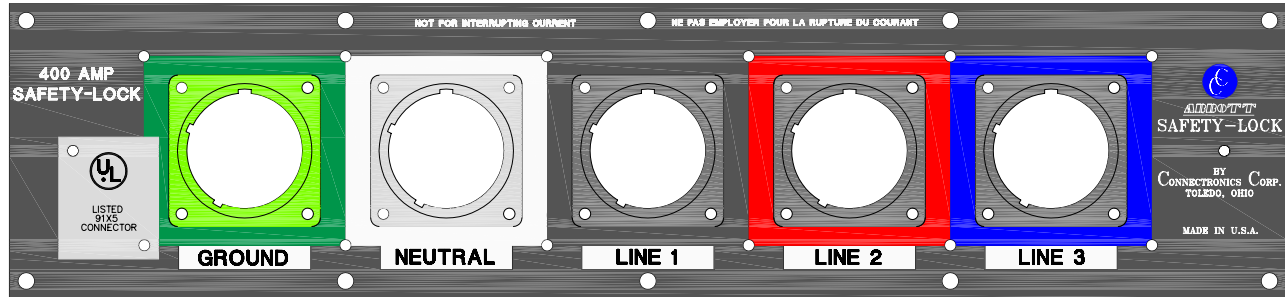
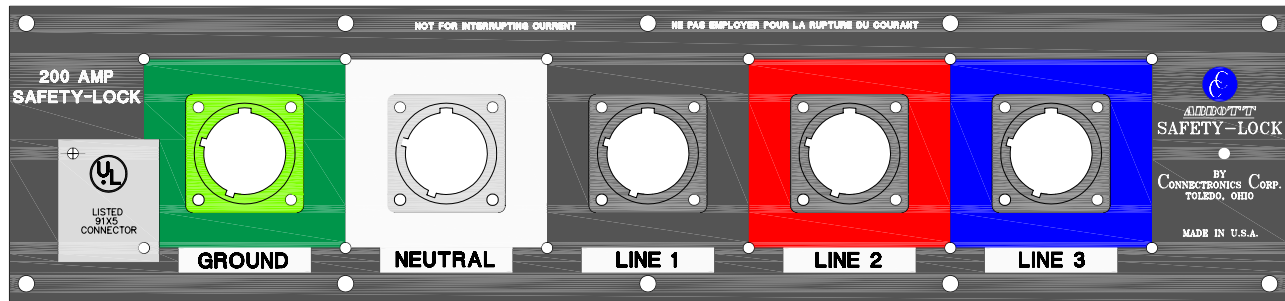
STANDARD SAFETY LOCK PANEL



STANDARD SAFETY LOCK PANELS ARE SUPPLIED WITH STANDARD POWER CONNECTION CONTACTS REFER TO PART NUMBER CHART ON SHT. 3 FOR ORDERING INFORMATION.

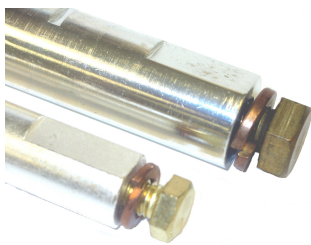
Connectronics Corp.
 Interconnection Specialists
 Phone: 419-537-0020

RAIN TIGHT SAFETY LOCK PANEL



4.38" TYP.

6-OUTLET 22.00"
 5-OUTLET 19.00" (SHOWN)
 4-OUTLET 16.00"
 3-OUTLET 13.00"

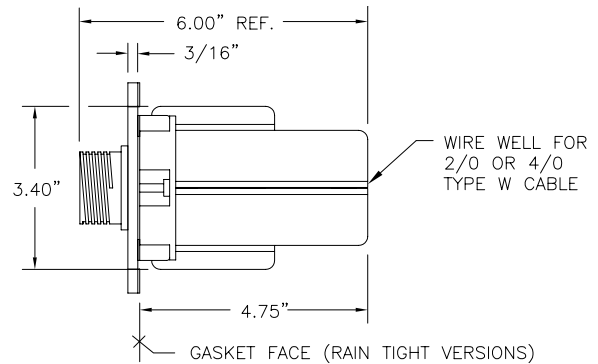
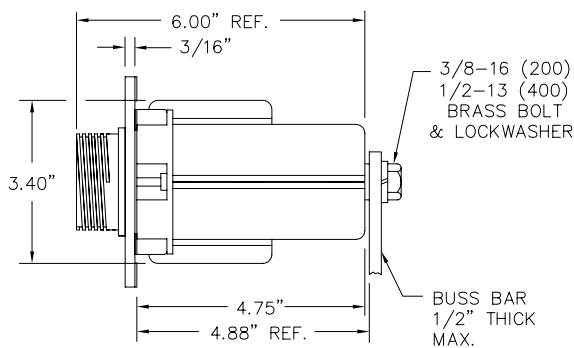


BUS BAR POWER CONNECTION

NOTE: RAIN TIGHT PANELS ARE SUPPLIED WITH RUBBER PANEL GASKET AND THREADED ENVIRONMENTAL COVERS, WITH LANYARD



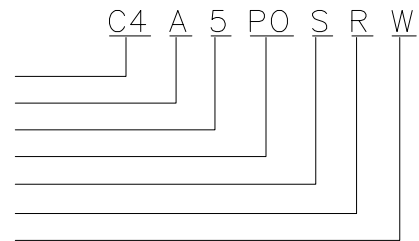
STANDARD POWER CONNECTION



MODEL NUMBERING CODE FOR PANEL/PANEL SYSTEM

EXAMPLE PANEL/SYSTEM P/N: C4A5POSRW

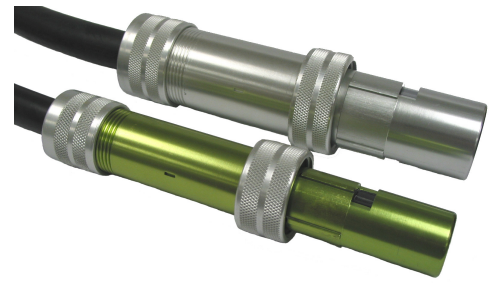
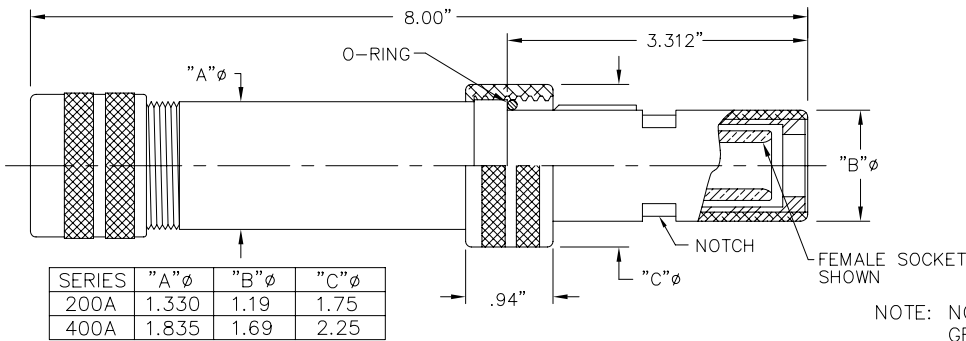
SERIES, DENOTES CURRENT RATING _____ (C4=400A, C2=200A)
 TYPE OF SYSTEM _____ (A=PANEL SYSTEM, B=PANEL ONLY)
 NUMBER OF OUTLETS * _____ (3, 4, 5, 6)
 PANEL STYLE _____ (PO=PANEL OUTLETS (SOCKETS), PI=PANEL INPUTS (PINS))
 PANEL TERMINATION (S=STANDARD (WIRE BARREL), L=BUS BAR (BOLT & WASHER))
 POSITION OF GROUND CONTACT ON PANEL _____ (L=LEFT, R=RIGHT)
 PANEL SYSTEM FOR 3R ENCLOSURE RATING _____ (RAINTIGHT)



- * 3 = ONE LINE, ONE GROUND, ONE NEUTRAL OUTLET.
- 4 = TWO LINE, ONE GROUND, ONE NEUTRAL OUTLET.
- 5 = THREE LINE, ONE GROUND, ONE NEUTRAL OUTLETS.
- 6 = THREE LINE, ONE GROUND, TWO NEUTRAL OUTLETS.

Connectronics Corp.
 Interconnection Specialists
 Phone: 419-537-0020

SAFETY LOCK PLUG ASSEMBLIES

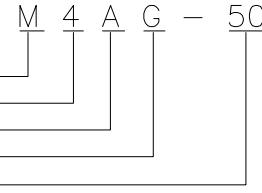


NOTE: NOTCHES SHOWN IN PLUG SHELL APPLY TO GROUND AND NEUTRAL PLUG ASSEMBLIES ONLY.

MODEL NUMBERING CODE FOR PLUG ASSEMBLY

EXAMPLE PLUG P/N: M4AG-50

GENDER (CONTACT) _____ (M=MALE(PIN), F=FEMALE(SOCKET))
 CURRENT RATING _____ (4=400A, 2=200A)
 SERIES _____ (A=STANDARD, C=THREADED ENVIRONMENTAL COVER)
 CIRCUIT FUNCTION _____ (G=GROUND(GREEN), N=NEUTRAL(SILVER), L=LINE(BLACK))
 (OPTIONAL) LENGTH IN FEET _____ (EXP. -50 = 50 FEET)



LENGTH TOLERANCES SHALL BE AS FOLLOWS:
 50' to 100' - +12"/-0"
 100' to 250' - +18"/-0"
 250' to 500' - +24"/-0"

STANDARD PLUG ASSEMBLIES ARE SUPPLIED WITHOUT WIRE.
 PRE-TERMINATED PLUG ASSEMBLIES ARE AVAILABLE WITH (OPTIONAL) 2/0 (200A) & 4/0 (400A), TYPE W WIRE.
 CONTACT CONNECTRONICS CORP. FOR ADDITIONAL INFORMATION.

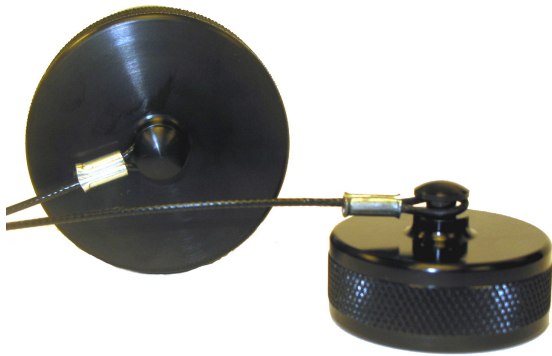
SAFETY LOCK ACCESSORIES



OPTIONAL BASKET WEAVE GRIP USED ON PLUG ASSEMBLIES



CABLE SEALING RUBBER GROMMET FOR TYPE W WIRE (STANDARD ON PLUG ASSEMBLIES) OPTIONAL SIZES AVAILABLE



OPTIONAL THREADED ENVIRONMENTAL COVERS WITH LANYARD FOR PANEL (STANDARD ON RAIN TIGHT PANEL)



OPTIONAL THREADED ENVIRONMENTAL COVERS WITH LANYARD FOR PLUG ASSEMBLY