

RMP Series



Rectangular Multi-Pin High Voltage Connectors

Features:

- 5 kVDC Operating Voltage
- Temperature Range
-55°C to +125°C
- Sea Level to 70,000 ft. Operation
- Field or Factory Assembled
- Vibration and Shock Resistant
- Shielded or Unshielded Options

Typical Applications:

- Electronic Countermeasures
- Airborne Radar
- CRT Displays
- Traveling Wave Tubes
- Low Powered Lasers
- High Voltage Power Supplies
- Medical/Bio-Medical
- Scientific Instruments

Connectronics 
Corp. *Interconnection Specialists*
a **HEICO** company



Corporate Office
& Manufacturing Facilities:
2745 Avondale • P.O. Box 3355
Toledo, Ohio 43607

Phone: 419-537-0020
Fax: 419-537-0007
E-mail: info@connectronicscorp.com
Visit Us On Our Web Site @
www.connectronicscorp.com

DESCRIPTION:

THE CONNECTRONICS RECTANGULAR MULTI-PIN HIGH VOLTAGE CONNECTOR SERIES PROVIDES HIGH VOLTAGE CORONA FREE OPERATION USING MULTIPLE CONTACTS PACKAGED INTO A COMMON INSULATOR AND SHELL TO REDUCE SIZE AND WEIGHT. TEMPERATURE COMPENSATING SPRINGS PROVIDE CONSTANT PRESSURE ON MATED INTERFACE TO INSURE MAXIMUM RELIABILITY THROUGH TEMPERATURE AND ALTITUDE EXTREMES.

TECHNICAL DATA:

ELECTRICAL:

VOLTAGE : 5 KVDC
MAXIMUM CURRENT : 3 AMPS

ENVIRONMENTAL:

ALTITUDE : SEA LEVEL TO 70,000 FT.
TEMPERATURE : -55°C TO +125°C

MATERIALS AND FINISHES:

RECEPTACLE ASSEMBLY:

PLASTIC RECEPTACLE SHELL - THERMOPLASTIC POLYESTER PER MIL-M-24519.
METAL RECEPTACLE SHELL - ALUMINUM CASTING ALLOY 356-T6 (OR EQUIV.), ELECTROLESS NICKEL PLATED PER MIL-C-26074.
RECEPTACLE INSULATOR - THERMOPLASTIC POLYESTER PER MIL-M-24519.
SOCKET CONTACTS - BERYLLIUM COPPER PER QQ-C-530, GOLD PLATED PER MIL-G-45204.
MOUNTING BRACKETS - CARBON STEEL, NICKEL PLATED PER QQ-N-290.
JACKSCREW HARDWARE - STAINLESS STEEL, PASSIVATED

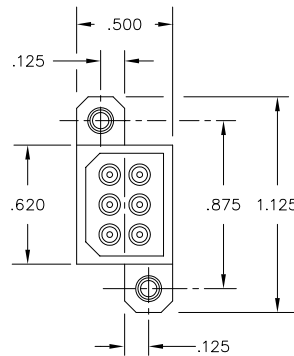
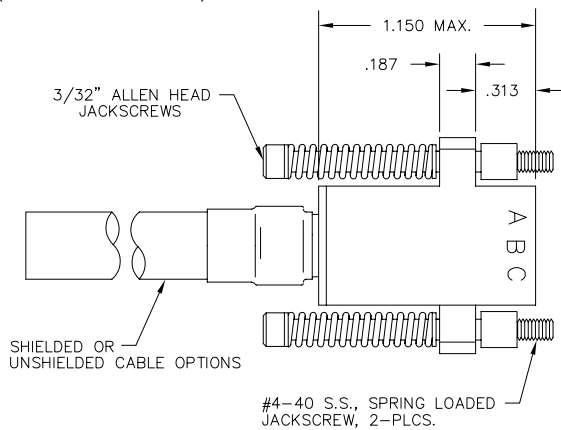
PLUG ASSEMBLY:

PLASTIC PLUG SHELL - THERMOPLASTIC POLYESTER PER MIL-M-24519.
METAL PLUG SHELL - ALUMINUM CASTING ALLOY 356-T6 (OR EQUIV.), ELECTROLESS NICKEL PLATED MIL-C-26074.
INSULATOR - SILICONE RUBBER PER ZZ-R-765.
PIN CONTACTS - HALF HARD BRASS PER QQ-B-626, GOLD PLATED PER MIL-G-45204.

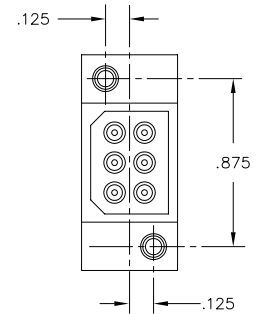
WIRE - #24 OR #22 AWG SILVER PLATED 19 STRAND CONSTRUCTION WITH SILICONE COATED TEFLON OR TEFLON INSULATION IS STANDARD ON ASSEMBLIES. OPTIONAL WIRE CONSTRUCTION WOULD INCLUDE SHIELDED & JACKETED CABLE.
CONSULT FACTORY FOR ADDITIONAL INFORMATION.

6-PIN RECEPTACLE ASSEMBLY

(MATES WITH 10188)



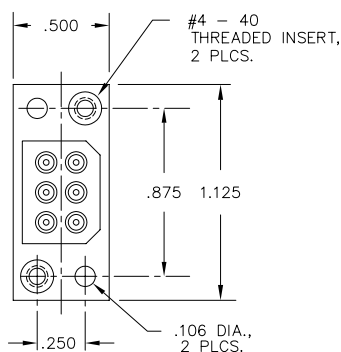
END VIEW
BASE PART NO.
10193-[X][X]



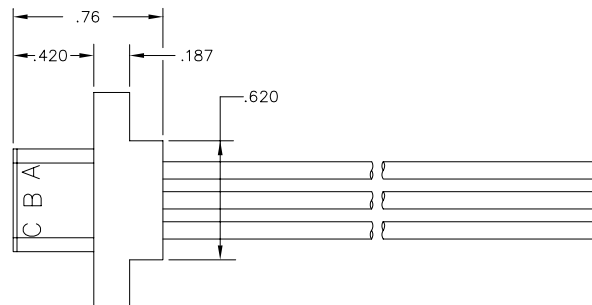
END VIEW
BASE PART NO.
10186-[X][X]

6-PIN STRAIGHT PLUG ASSEMBLY

(MATES WITH 10193, 10186)

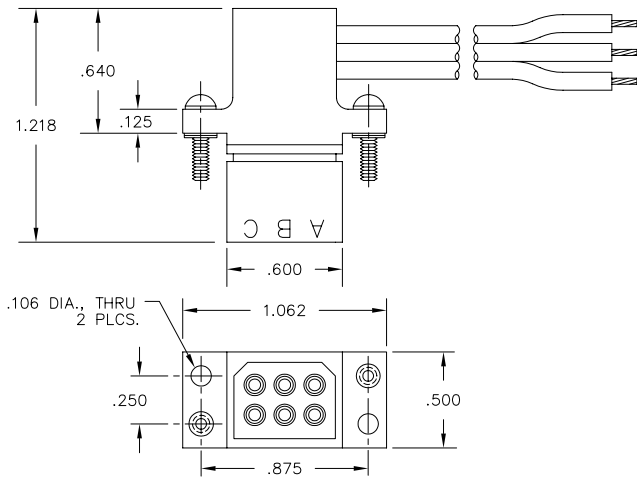


END VIEW
BASE PART NO.
10188-[X][X]



6-PIN RIGHT ANGLE PLASTIC RECEPTACLE ASSEMBLY

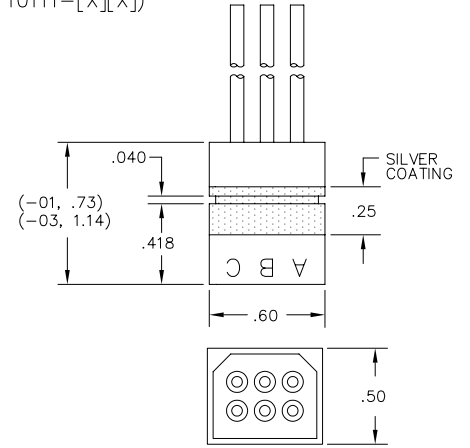
BASE PART NO. 10458-[X][X]
(MATES WITH 10459)



6-PIN PLASTIC RECEPTACLE ASSEMBLY

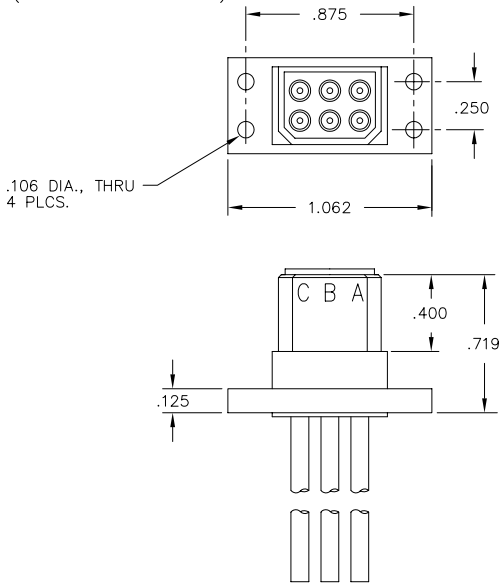
PART NO. 10195-01 WITH SILVER CONDUCTIVE COATING
IN MOUNTING GROOVE

10195-03 NO SILVER COATING
(MATES WITH 10111-[X][X])



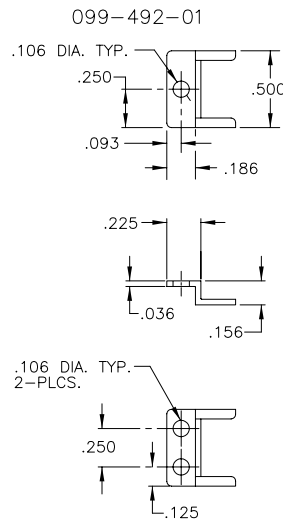
6-PIN PLASTIC PLUG ASSEMBLY

BASE PART NO. 10459-[X][X]
(MATES WITH 10458)



PLASTIC 6-PIN MOUNTING BRACKET

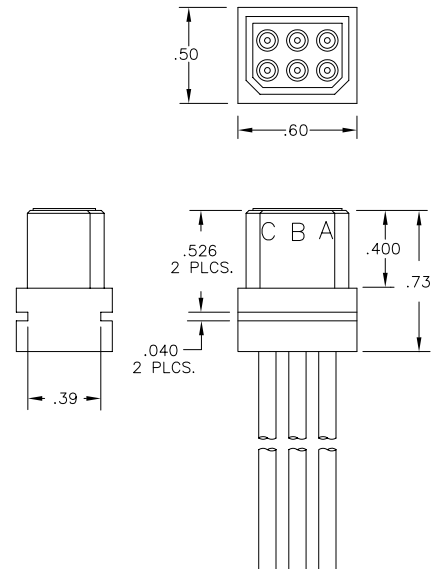
USED ON: 10195, 10111



2 REQUIRED PER ASSEMBLY

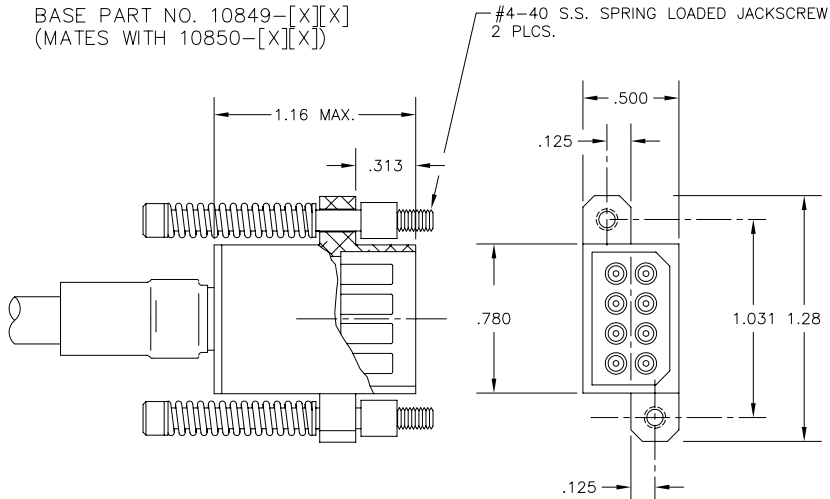
6-PIN PLASTIC PLUG ASSEMBLY

BASE PART NO. 10111-[X][X]
(MATES WITH 10195-[X][X])



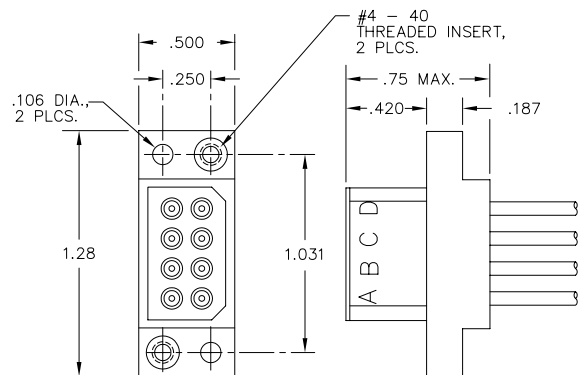
8-PIN RECEPTACLE ASSEMBLY

BASE PART NO. 10849-[X][X]
(MATES WITH 10850-[X][X])



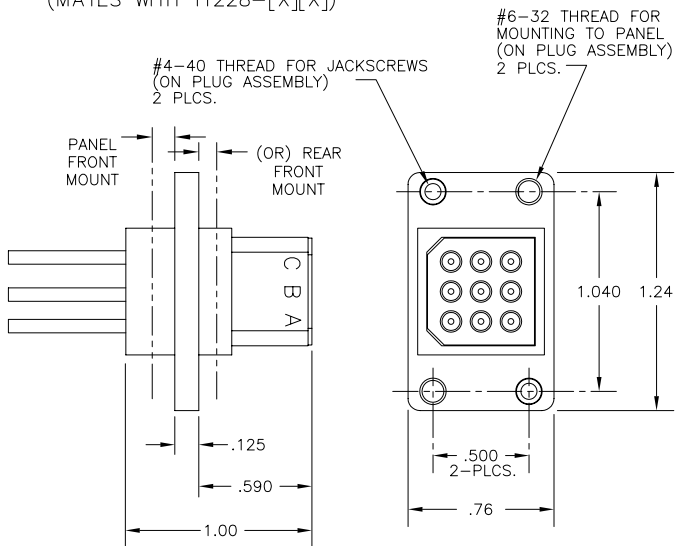
8-PIN PLUG ASSEMBLY

BASE PART NO. 10850-[X][X]
(MATES WITH 10849-[X][X])



9-PIN PLUG ASSEMBLY

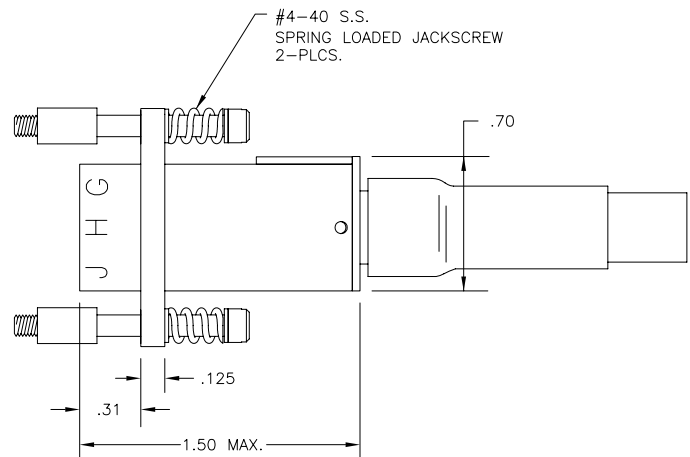
BASE PART NO. 11246-[X][X]
(MATES WITH 11228-[X][X])



PLUG INTERFACE SHOWN
(OVER ALL DIMENSIONS SAME FOR RECEPTACLE)

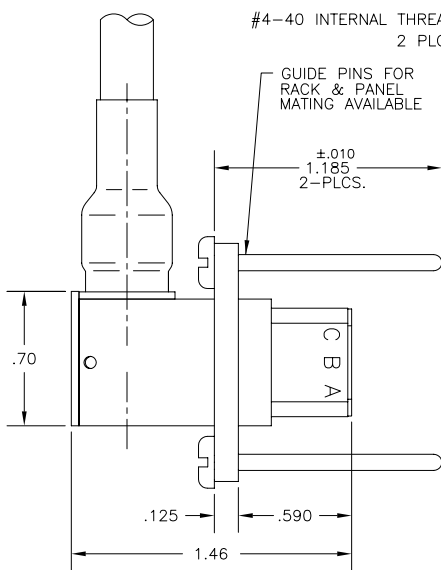
9-PIN RECEPTACLE ASSEMBLY

BASE PART NO. 11228-[X][X]
(MATES WITH 11246-[X][X])



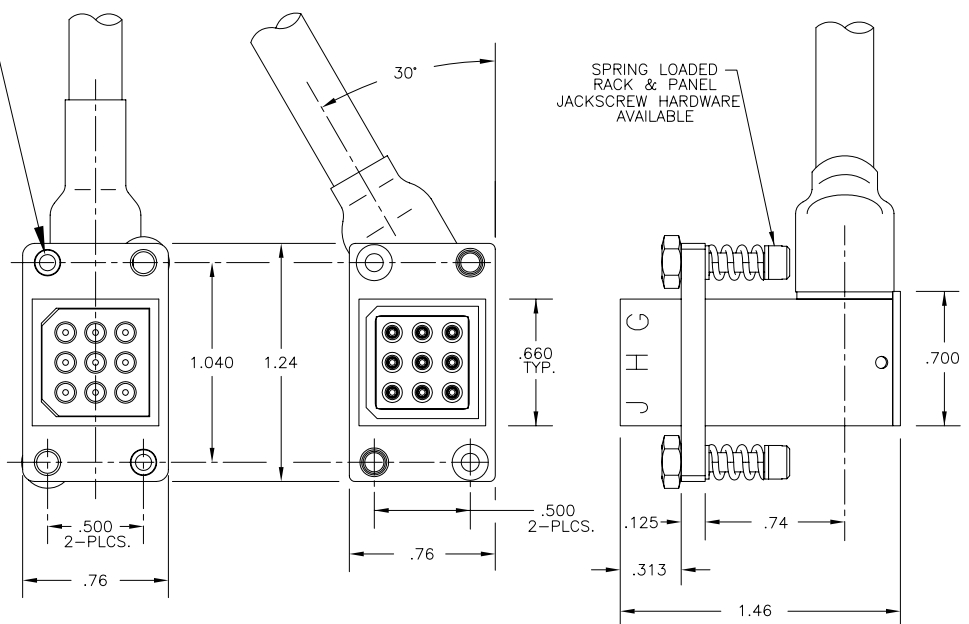
9-PIN R.A. PLUG ASSEMBLY

BASE PART NO. 10980-[X][X]
(MATES WITH 10979-[X][X])



9-PIN R.A. 30° RECEPTACLE ASSEMBLY

BASE PART NO. 10979-[X][X]
(MATES WITH 10980-[X][X])



ORDERING INFORMATION:

6, 8, & 9 PIN PLUG ASSEMBLIES CAN BE ORDERED AS "KITS" FOR TERMINATING AT CUSTOMER'S FACILITY OR CAN BE TERMINATED WITH WIRE TO YOUR SPECIFICATIONS BY CONNECTRONICS.

ASSEMBLIES UTILIZING WIRE MAY BE PURCHASED IN ANY DESIRED LENGTH TO MEET YOUR SPECIFIC NEEDS. REFER TO BASE PART NUMBERS LISTED WHEN INQUIRING ABOUT DASH NUMBERS. WIRE LENGTHS AND WIRE STRIP LENGTHS SHOWN MAY DIFFER FROM ACTUAL CONFIGURATION SHOWN IN ENGINEERING DRAWINGS.

9-PIN RECEPTACLE ASSEMBLY IS AVAILABLE AS HERMETICALLY SEALED PANEL MOUNT CONNECTOR, SEALED TO 1×10^{-7} cc/He/SECOND @ 1 ATMOSPHERE DIFFERENTIAL PRESSURE. CONSULT FACTORY FOR ADDITIONAL INFORMATION..

A WIDE RANGE OF TEFLON INSULATED AND SILICONE COATED TEFLON INSULATED HIGH VOLTAGE WIRE IS ALSO AVAILABLE FROM CONNECTRONICS. PLEASE CONSULT FACTORY FOR ADDITIONAL INFORMATION.

CONTACT CONNECTRONICS FOR YOUR UNIQUE DESIGN REQUIREMENTS AND LET US DESIGN AND MANUFACTURE WHAT YOU NEED.

VISIT CONNECTRONICS ON THE INTERNET @ www.connectronicscorp.com

Connectronics
Corp. Interconnection Specialists
Phone: 419-537-0020